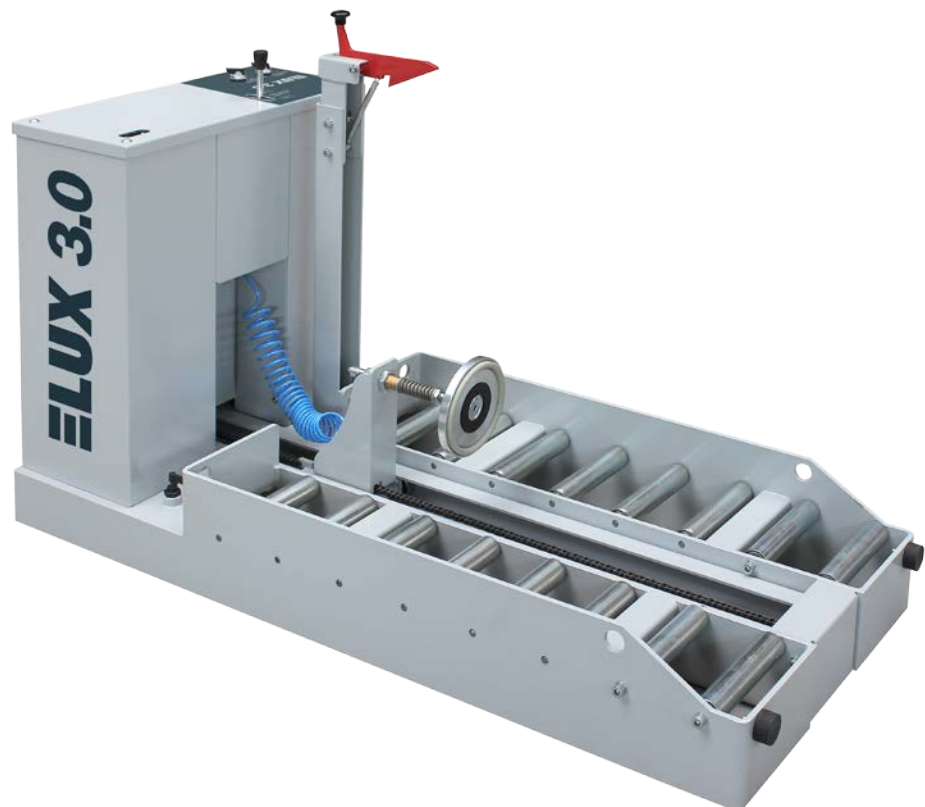


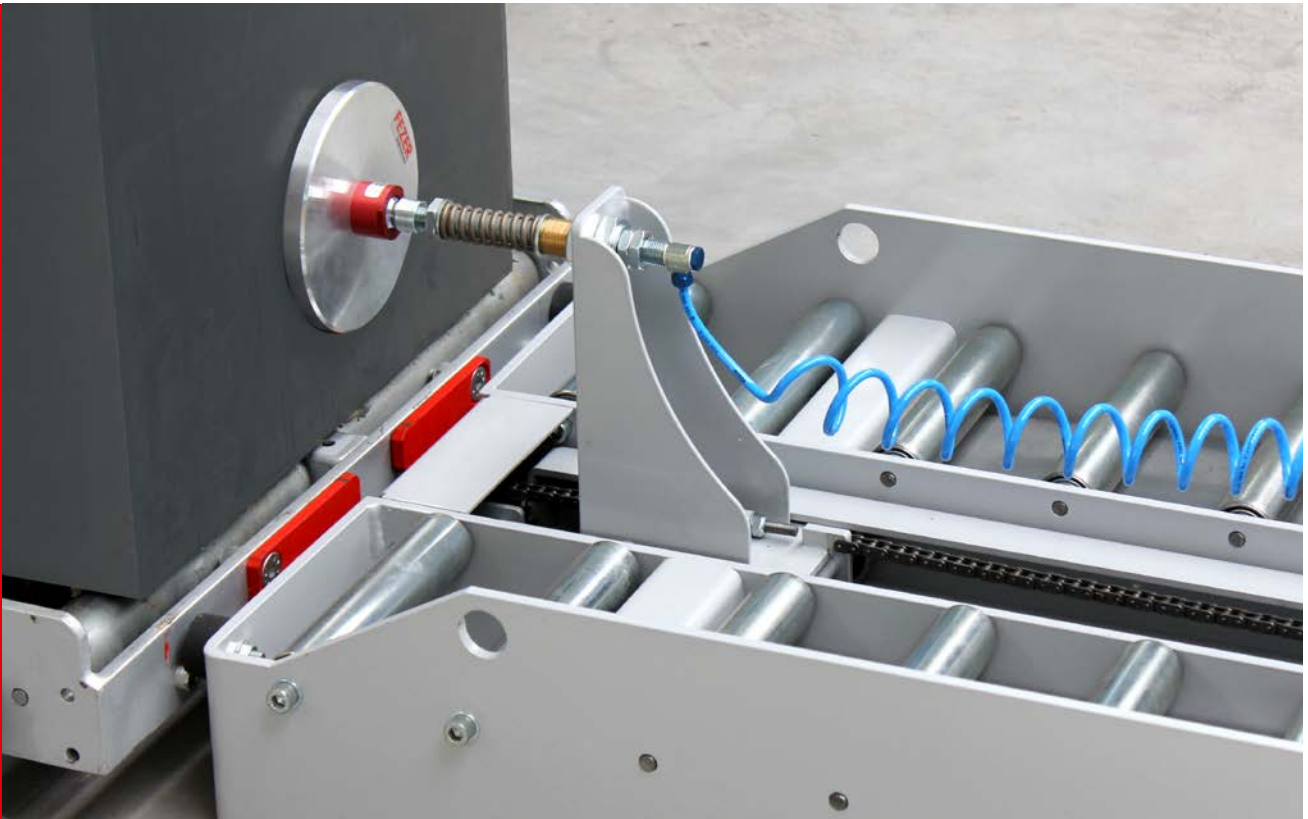
# **ELUX**

## **▶ Motorized Changing Tables**



**Energy. Endurance. Performance.**

## ▶ Motorized Changing Tables ELUX



The multi-shift operation of electric industrial trucks requires the changing out of batteries. With the motor-driven ELUX changing table, these changes can be performed quickly, safely and economically.

The changing tables are used for installing and extracting industrial batteries into or out of an industrial truck and for transporting the battery to or from the charging station. A high degree of user ease and safety is provided by the wired remote control.

### SYSTEM FEATURES

- ▶ **Laser pointer** - allows the unit to be set to the exact installation or extraction height.
- ▶ **Quality** - powder coating, top-quality materials, high-quality workmanship.
- ▶ **Made in Germany** - utilization of steel from S235JRG2 to S355J2G3.
- ▶ **In accordance with the guidelines** - EC Machinery Guidelines, EMC Guidelines, Low Voltage Guidelines.

**Innovative technology  
for traction batteries**

# Technical data

	ELUX 4.0	ELUX 3.0	ELUX 2.0
<b>Dimensions</b>			
Total length	1,664 mm	1,350 mm	1,800 mm
Total width	672 mm	600 mm	1,315 mm
Total height	1,090 mm	870 mm	700 mm
Roller conveyor base height	200 mm	133 mm	270mm
Dead weight	245 kg	157 kg	517 kg
<b>Dimensions of vacuum pad</b>			
Total length	Ø 210 m	Ø 160 mm	400 mm
Total width	-	-	300 mm
Overflow vacuum pad	-	-	80 mm
<b>Battery data</b>			
Max. trough width	520 mm	520 mm	1000 mm
Max. trough length	1,225 mm	870 mm	1,240 mm
Trough height	784 mm	630 mm	unlimited
Max. battery weight	1,400 kg	750 kg	2,500 kg
<b>Carrier vehicle data</b>			
Max. fork arm width	190 mm	190 mm	190 mm
Max. fork arm height	85 mm	85 mm	90 mm
Fork arm outer dimensions	520 - 570 mm	520 - 570 mm	520 - 680 mm
Min. fork length	1,600 mm	1,200 mm	1,600 mm
Min. lift	120 mm	120 mm	120 mm

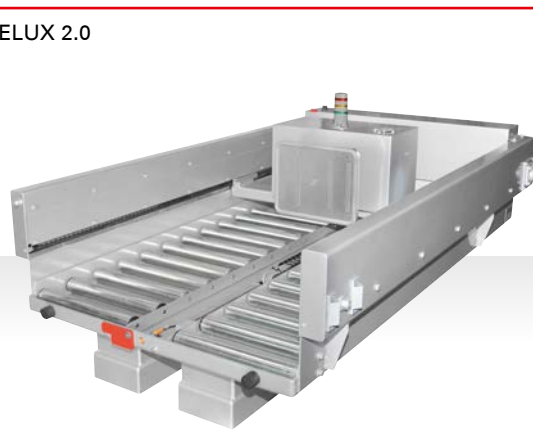
ELUX 4.0



ELUX 3.0



ELUX 2.0





**Triathlon Batterien GmbH**

Siemensstraße 1  
08371 Glauchau  
Germany

Tel: +49 (0)3763/77 85-0  
Fax: +49 (0)3763/77 85-110

E-Mail: [info@triathlon-batterien.de](mailto:info@triathlon-batterien.de)  
Internet: [www.triathlon-batterien.de](http://www.triathlon-batterien.de)